

# BLICK INDUSTRIES

## Vac-Stop Bill of Materials

Date: \_\_\_\_\_

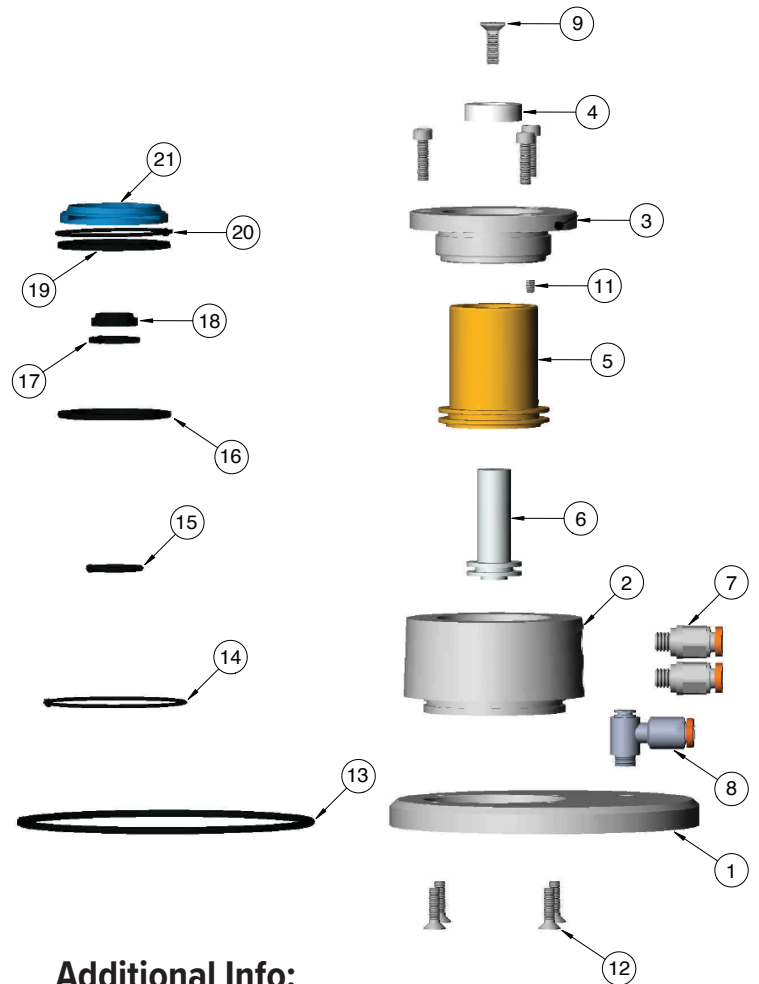
Customer: \_\_\_\_\_

Air Fitting Size: \_\_\_\_\_

Notes: \_\_\_\_\_

### LIST

QTY.	#	PART NAME	PART NUMBER
	1	Base	11-101-01-01
	2	Cylinder	11-101-01-02
	3	Retainer Ring	11-101-01-03
	4	26 mm Disc	11-099-26
	5	Brass Piston	11-101-01-05
	6	SS Piston	11-101-01-06
	7	Air Fitting Straight	53-2001009
	8	Air Fitting "L"	53-2014006
	9	Screw, M6X14 FH	57-M6-14FH
	10	Screw, M5x14 SH	57-M6-14SH
	11	Set Screw, M4x6 SS	57-M4-6SS
	12	Screw, M5x20 FH	57-M5-20FH
	13	O-Ring, Base, -250	11-101-01-13
	14	O-Ring, Base Cylinder	036BUNA70 (036)
	15	Seal, SS Piston OD	11-101-01-15 (PK25)
	16	Seal, Brass Piston OD	11-101-01-16 (PK50)
	17	Seal, Brass Piston ID	11-101-01-17 (PR15)
	18	Wiper Seal, Brass Piston	11-101-01-18 (32WRM)
	19	Seal Top Ring ID	11-101-01-19 (PR40)
	20	O-Ring, Top Ring OD	11-101-01-20 (032)
	21	Wiper Seal, Top Ring	11-101-01-21 (PW40F)



### Additional Info:

#### Vac Stop Seal Kit (11-101-01-30)

- Contains: 13, 14, 15, 16, 17, 18, 19, 21

#### Vac-Stop Brass Piston Assembly (11-101-01-56)

- Contains: 4, 5, 6, 9, 11, 15, 16, 17, 18