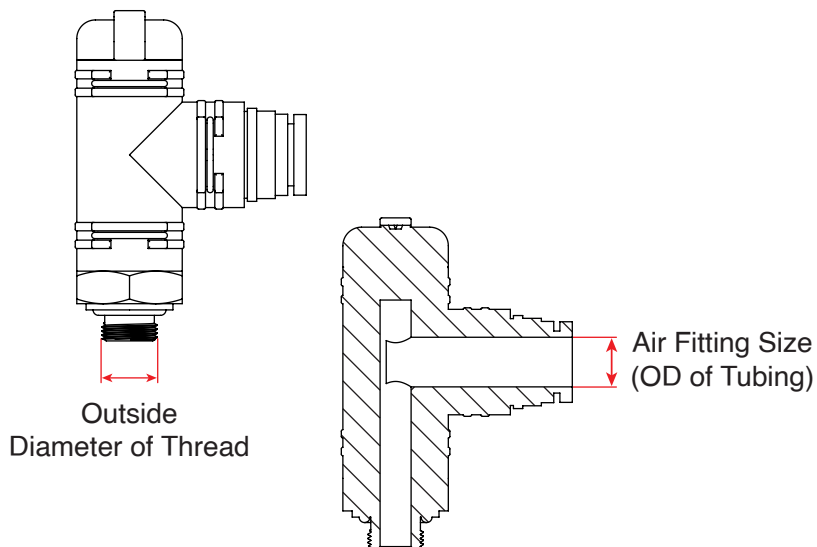
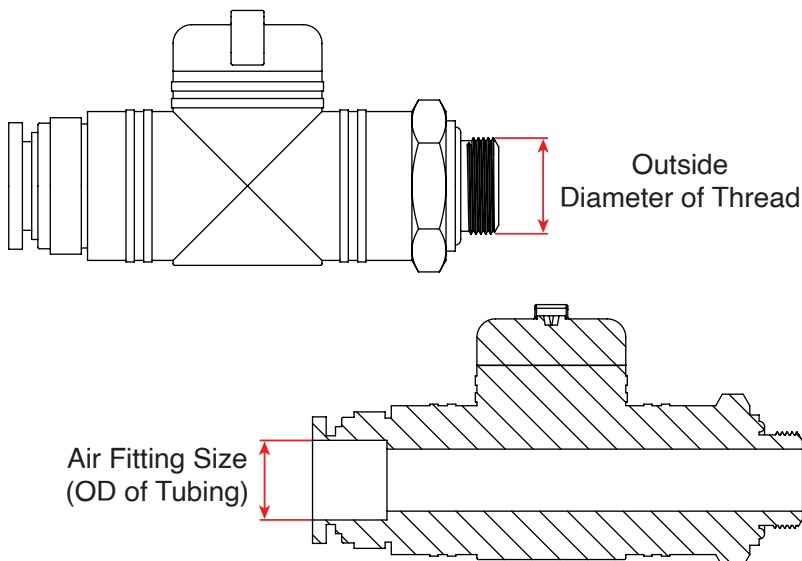


HOW TO MEASURE:**Combo Valve - Angled** $1/8'' \text{ BSP} = 0.383'' \approx 3/8''$ $1/4'' \text{ BSP} = 0.518'' \approx 1/2''$ $3/8'' \text{ BSP} = 0.656'' \approx 5/8''$ $1/2'' \text{ BSP} = 0.825'' \approx 13/16''$

The air fitting size is the outside diameter of the tubing that you are using.

HOW TO MEASURE:**Combo Valve - Straight** $1/8'' \text{ BSP} = 0.383'' \approx 3/8''$ $1/4'' \text{ BSP} = 0.518'' \approx 1/2''$ $3/8'' \text{ BSP} = 0.656'' \approx 5/8''$ $1/2'' \text{ BSP} = 0.825'' \approx 13/16''$

The air fitting size is the outside diameter of the tubing that you are using.