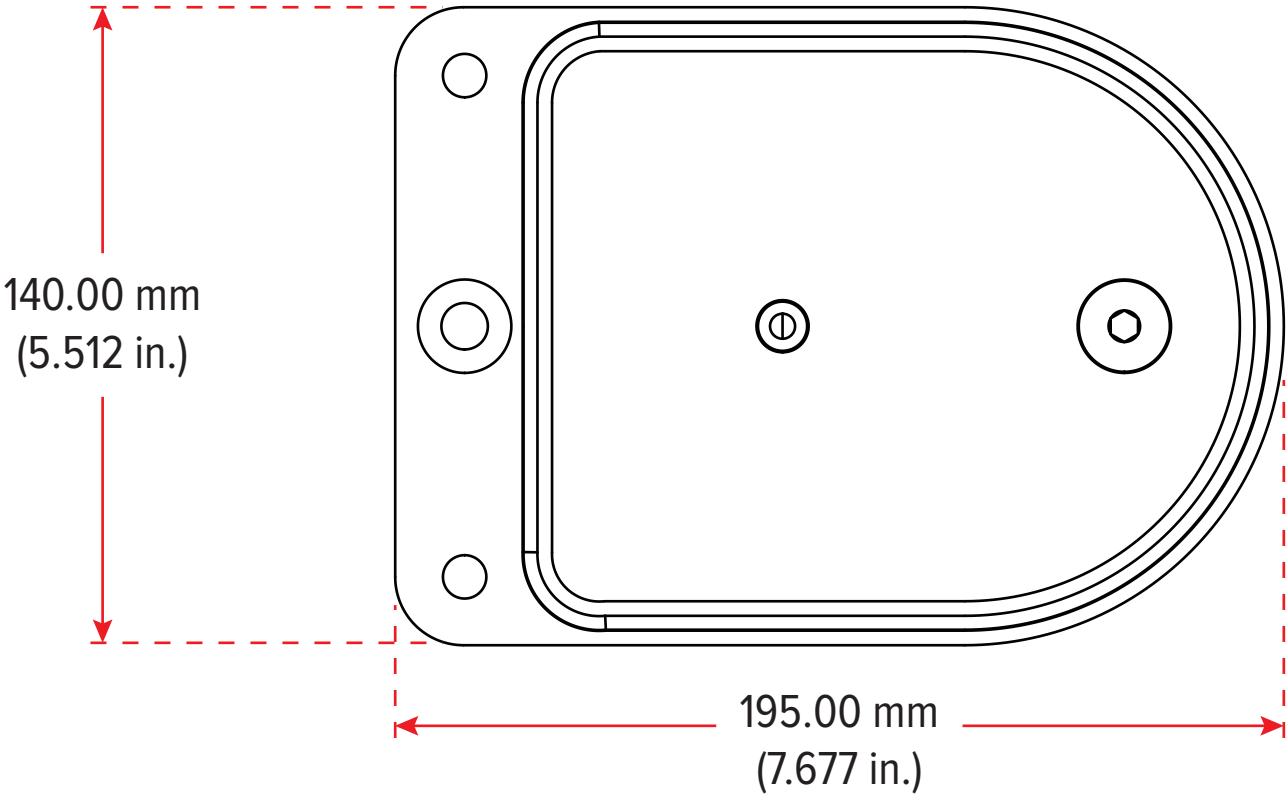


BLICK INDUSTRIES

50 mm Edge Locating Pin

11-401-01-105

Bottom View



Side View

