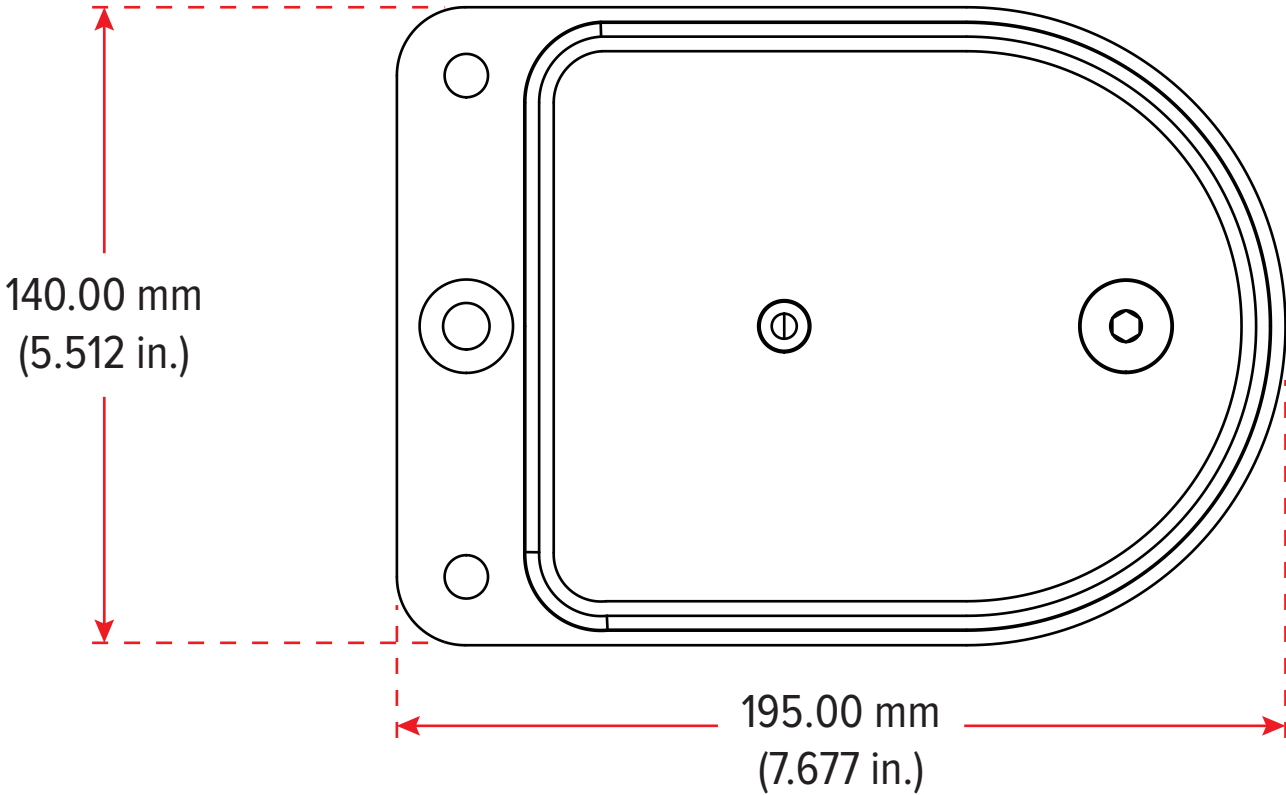


**BLICK INDUSTRIES**

# 26 mm Edge Locating Pin

11-401-02-105

Bottom View



Side View

