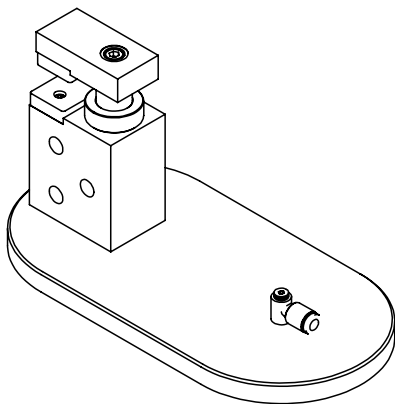
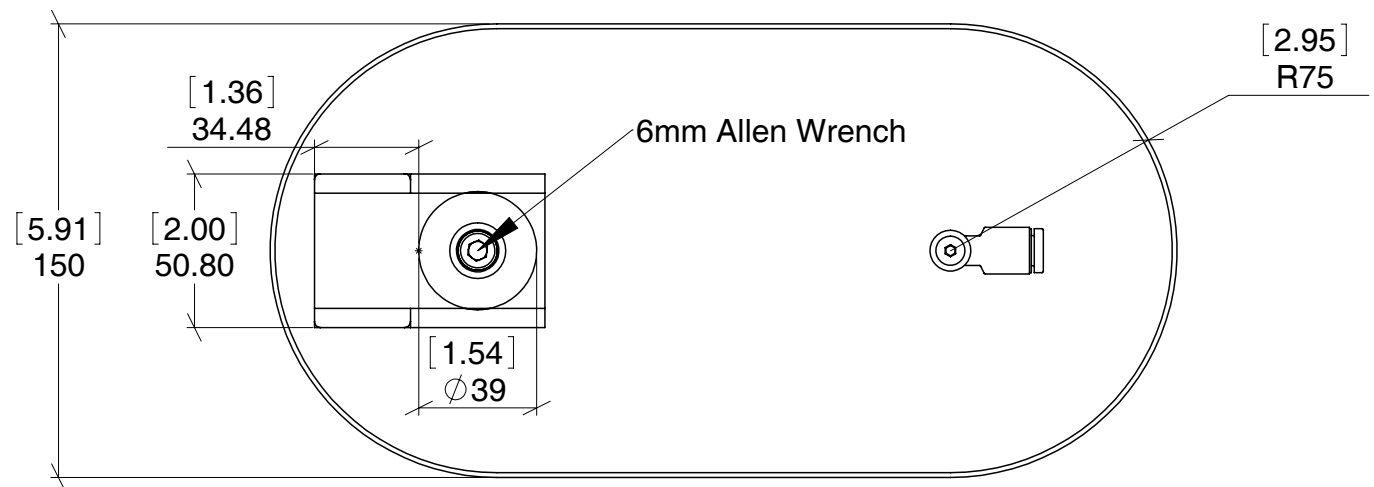
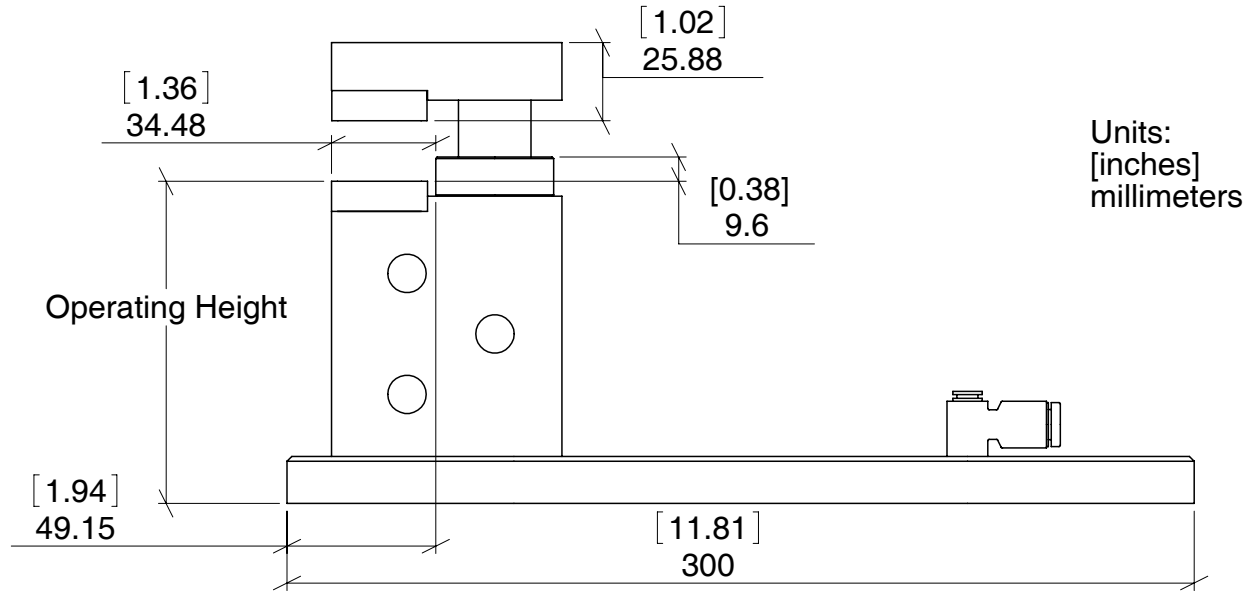


**Clamping Range:**  
 0 - 4cm [1.57]  
**Screw Must be**  
**Changed to Adjust**  
**for Different Thicknesses**



**BLICK INDUSTRIES**  
 www.blickindustries.com

2465 Laguna Canyon Road, Laguna Beach, CA 92651 USA  
 (949) 499-5026, (949) 499-1398 fax

**PROPRIETARY AND CONFIDENTIAL**

THE INFORMATION CONTAINED IN THIS DRAWING IS THE SOLE PROPERTY OF BLICK INDUSTRIES. ANY REPRODUCTION IN PART OR AS A WHOLE WITHOUT THE WRITTEN PERMISSION OF BLICK INDUSTRIES IS PROHIBITED.

DATE:	9/21/07
DRAWN BY:	DW
MATERIAL:	

TITLE:		
Standard Mechanical Clamp		
P/N:	13-102-01	REV 1
SIZE	<b>A</b>	